

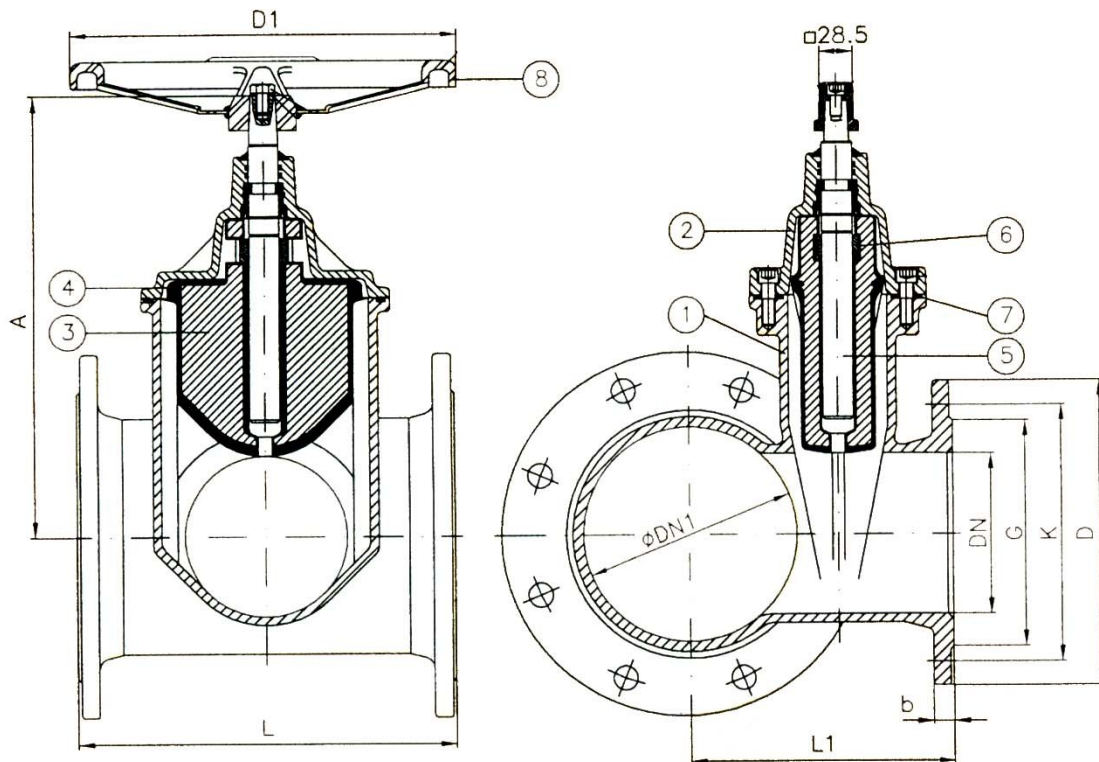
Soft sealing gate valve with tee BELGI-T (Belgicast)

Characteristics:

- Less free space is necessary than in case of a typical connection: tee + gate valve.
- Limits the cost of assembly and pipe fittings.

Technical data:

- Flanges from DN 80 to DN 200 are drilled for PN 10 or PN16.
- Working pressure up to 16 bar.
- Medium temperature from -10°C to 80°C.



Material specification:

No	Name	Material
1	Body	Nodular cast iron GGG-50
2	Bonnet	Nodular cast iron GGG-50
3	Wedge	Nodular cast iron GGG-50
4	Wedge coating	NBR / EPDM
5	Spindle	Steel X20Cr13
6	Wedge lock nut	Copper alloy
7	Bonnet gasket	NBR / EPDM
8	Handwheel	Steel



Diameters and sizes table:

DN 1	80	100		150			200			
DN	80	80	100	80	100	150	80	100	150	200
A	287,5	287,5	317,5	287,5	317,5	408,5	287,5	317,5	408,5	496,5
L1	165	175	180	200	205	220	225	230	245	250
L	280	280	30	280	300	350	280	300	350	400

DN	ISO 2531 PN 10					ISO 2531 PN 16					A	D1	No. of turns for closing
	D	K	G	b	n x d	D	K	G	b	n x d			
80	200	160	132	19	8x19	200	160	132	19	8x19	287.5	175	16
100	220	180	156	19	8x19	220	180	156	19	8x19	317.5	200	20
150	285	240	211	19	8x23	285	240	211	19	8x23	408.5	300	30
200	340	295	266	20	8x23	340	295	266	20	12x23	496.5	350	33